



PRECISION

WASTE WOOD CHIPPER

WORLD LEADER IN PERFORMANCE, DURABILITY AND INSTALLATIONS



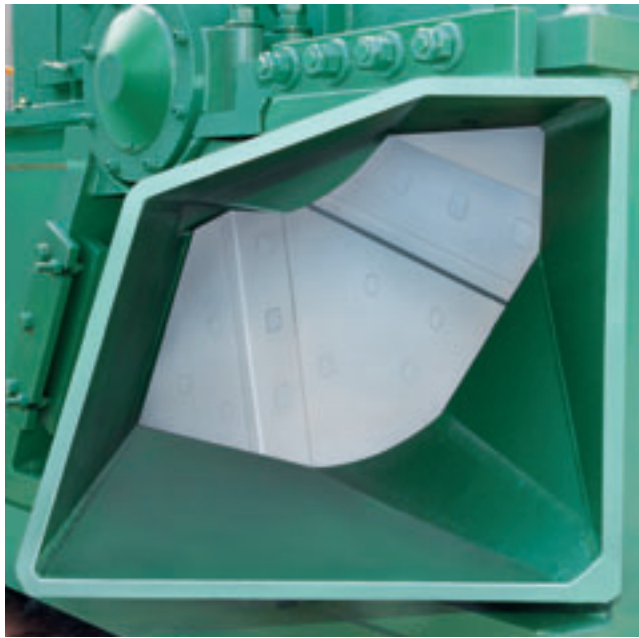


PRECISION'S UNIQUE PROVEN DESIGN HAS EARNED

LARGE INFEED SPOUTS

The 58" takes 34" slabs and 15" roundwood and the 66" processes 38" slabs and 17" roundwood. ▶

The 38" accommodates 20" slabs and 9" roundwood and the 48" will take 24" slab and 11" roundwood. ▼



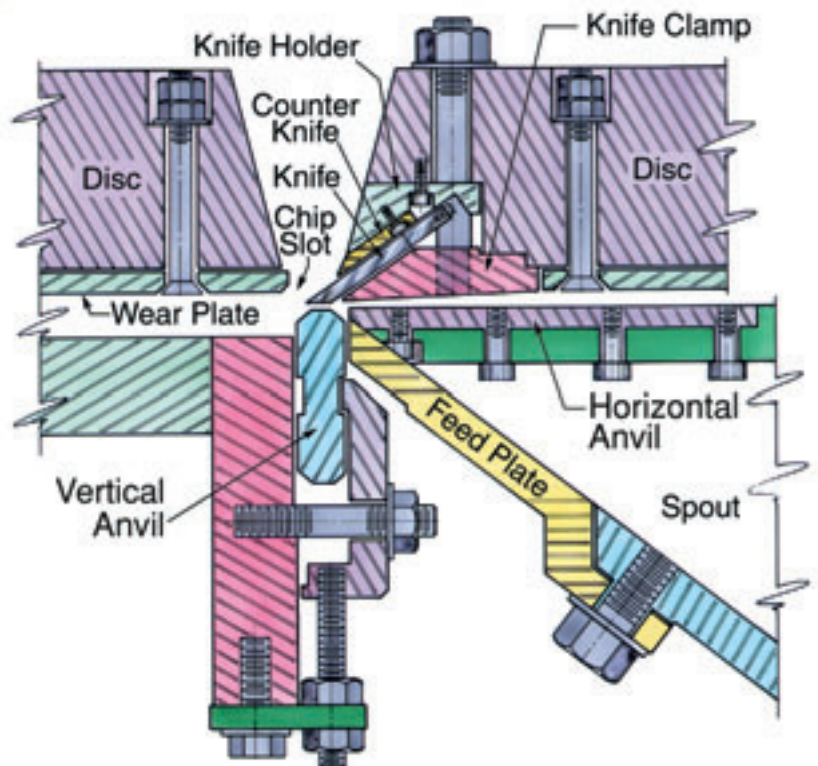
SLICING INSTEAD OF CHOPPING

The canted side spout design and the position of the knife causes a smooth slicing action. The attack angle of the knife gives a gentle lift to the slab as the knife passes the center line and begins the upward swing turning the slab counterclockwise.

The spout has a flat bottom and canted side to give 25% more anvil contact, preventing slapping and wood turning in the wrong direction.

Horizontal and vertical anvils give additional life, requiring less maintenance.

Both anvils are hard surfaced with colmonoy with a hardness of 62-65, Rockwell C scale. With a four sided replaceable anvil, maintenance and time are saved. Less horsepower is needed with Precision's smoother slicing action.



Sectional view of knife clamping and anvil adjustment.

ITS REPUTATION AS "THE BEST CHIPPER IN THE WORLD"



Knives are easily changed through large access door in front section. Easily removed clamp type knives are standard.



Rear section opening is opposite front opening with easy access for knife changing. Fan blades are easily inspected or changed.

OPTIONS FOR 38", 48", 58" and 66" PRECISION CHIPPERS



Dissipator for rear discharge

The circular movements of the chips greatly reduce the force of the chip flow and chips are spread more evenly. Available for all four chipper sizes. Cyclone sizes from 4' to 8' in diameter.

OPTIONS

- Horizontal Feed
- Drop or Gravity Feed
- Bottom Discharge
- Top Discharge
- Rear Discharge
- Cardbreakers
- Rechipper Spout
- Helical Wear Plates
- Wear Liners
- Carbide Anvils
- Heavy Duty Chipper
- Two piece hood
- One piece hood
- Left Hand or Right Hand
- 360° Swivel Discharge
- Belt Driven
- Direct Driven
- Dissipator for Rear Discharge Chippers
- Hard Surfaced Counter Knives

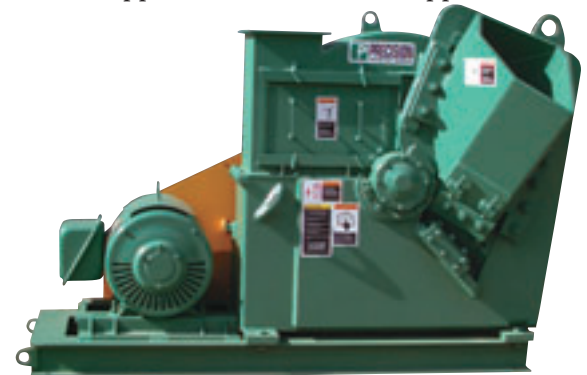
Chipper Disc Thickness

38" Chipper-3 1/2"

58" Chipper-5" or 6"

48" Chipper-4" or 5"

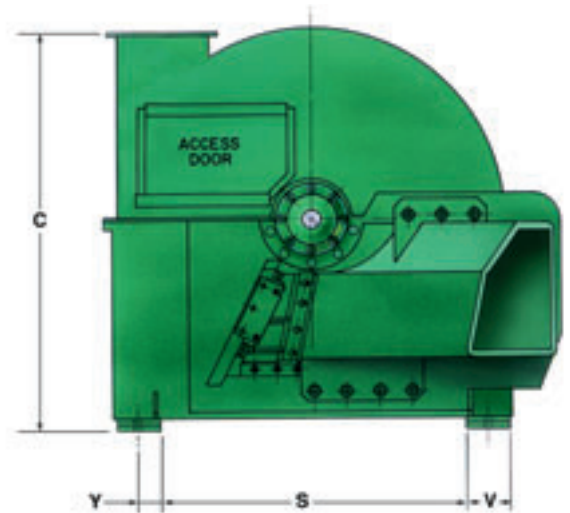
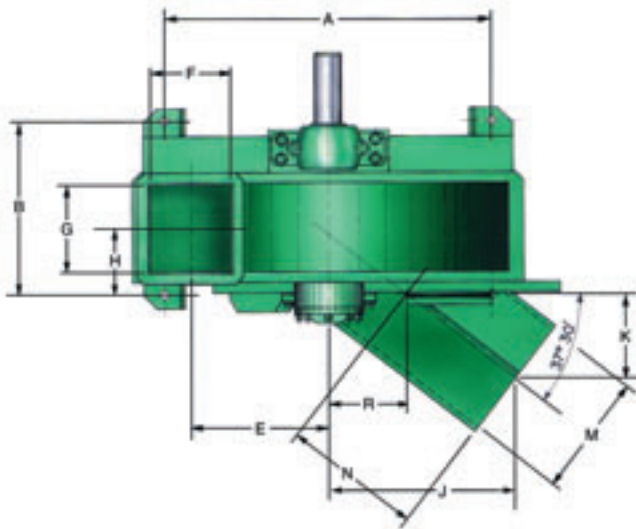
66" Chipper-5" or 6"



- Chipper with diesel engine on a common base
- Chipper with electric motor on a common base as shown above

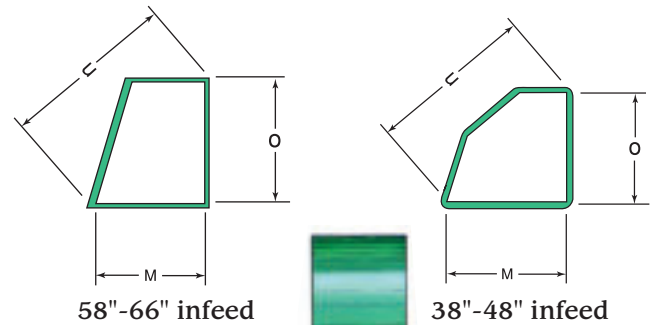


Precision Waste Wood Chipper Dimensions And Specifications



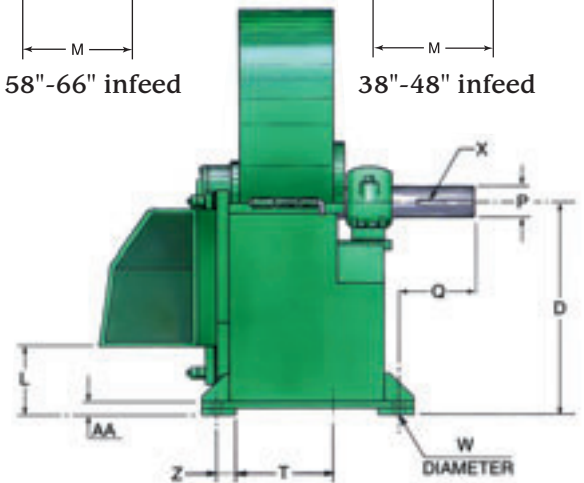
DIMENSIONS IN INCHES

Chipper Size	A	B	C	D	E	F
38	36	23	44 ⁵ / ₈	23 ⁵ / ₈	16	10
48	48	25 ¹ / ₂	55	29	20	12
58	57	28 ⁵ / ₈	63	33	24 ¹ / ₂	12
66	67	35	74 ¹ / ₄	38 ¹ / ₂	27 ¹ / ₈	15



Chipper Size	G	H	J	K	L	M	N	O	P	Q
38	10 ³ / ₄	7 ⁵ / ₈	25 ³ / ₈	11 ³ / ₄	7 ⁵ / ₈	14 ¹ / ₂	20 ¹ / ₂	14 ³ / ₄	2 ¹⁵ / ₁₆	5 ¹ / ₂
48	12 ¹ / ₂	10	27	12 ¹ / ₂	10 ³ / ₄	18	21	16 ³ / ₄	3 ¹⁵ / ₁₆	10 ¹ / ₈
58	13 ¹ / ₂	10 ¹ / ₂	30 ³ / ₄	13	9 ⁵ / ₈	22	22	26	4 ⁷ / ₁₆	8 ¹ / ₂
66	13 ³ / ₄	17 ¹ / ₈	32 ¹ / ₄	9	13 ³ / ₄	25	15 ¹ / ₂	28	4 ¹⁵ / ₁₆	11 ¹ / ₂

Chipper Size	R	S	T	U	V	W	X	Y	Z	AA
38	9 ¹ / ₈	32	10 ³ / ₄	20 ¹ / ₂	6	1 ¹ / ₄	3/4 x 3/8 x 6	2	3	11 ¹ / ₂
48	10 ¹ / ₄	42	12 ¹ / ₂	24 ¹ / ₂	6	1 ¹ / ₄	1 x 1/2 x 8 ¹ / ₂	3	3 ³ / ₄	11 ¹ / ₂
58	13 ¹ / ₄	51	13 ¹ / ₂	34	6	1 ¹ / ₄	1 x 1/2 x 8 ¹ / ₂	3	3 ³ / ₄	11 ¹ / ₄
66	19 ⁷ / ₈	55	13 ³ / ₄	38	9	1 ¹ / ₂	1 ¹ / ₄ x 5/8 x 10	6	10 ¹ / ₄	11 ⁴ / ₈



SPECIFICATIONS

Chipper Size	Number of Knives	Spout Opening	Max. Oper. RPM	Chip. Disc. Dia.	Fd. Rt. Approx. FPM	Avg. Cord Hour	Pulley Shaft Size
38	4	9 x 20	1000	38 ¹ / ₂	250	26	2 ¹⁵ / ₁₆
48	3, 4, 6 or 8	11 x 24	900	48	337	40	3 ¹⁵ / ₁₆
58	3, 4 or 6	15 x 34	720	58	270	54	4 ⁷ / ₁₆
66	3, 4, 6 or 8	17 x 38	600	66	300	74	4 ¹⁵ / ₁₆

ENGINEERED FOR PERFORMANCE

Precision chippers are more efficient, producing consistently sized chips with greater capacity. The 38" will accommodate a 20" slab and 9" roundwood. The 48" takes 24" slabs and 11" roundwood. The 58" takes 34" slabs and 15" roundwood. The 66" takes 38" slabs and 17" roundwood.



P.O. DRAWER 507 • LEEDS, AL 35094-0507 • 205/640-5181 • FAX 205/640-1147
EMAIL: sales@precisionhusky.com • WEB SITE: www.precisionhusky.com

